

TECHNICAL GUIDE

AND
PARTS LIST

CAL. Y726A

DIGITAL QUARTZ

INTRODUCTION

The Y726 is a jogger's watch whose movement is the same as that used in Y729 (except for switch spring marking) but whose case construction differs from Y729.

This Technical Guide mainly describes the disassembling and reassembling procedures of casing. For the checking and adjusting procedures of movement, refer to Y729 Technical Guide and Parts List.

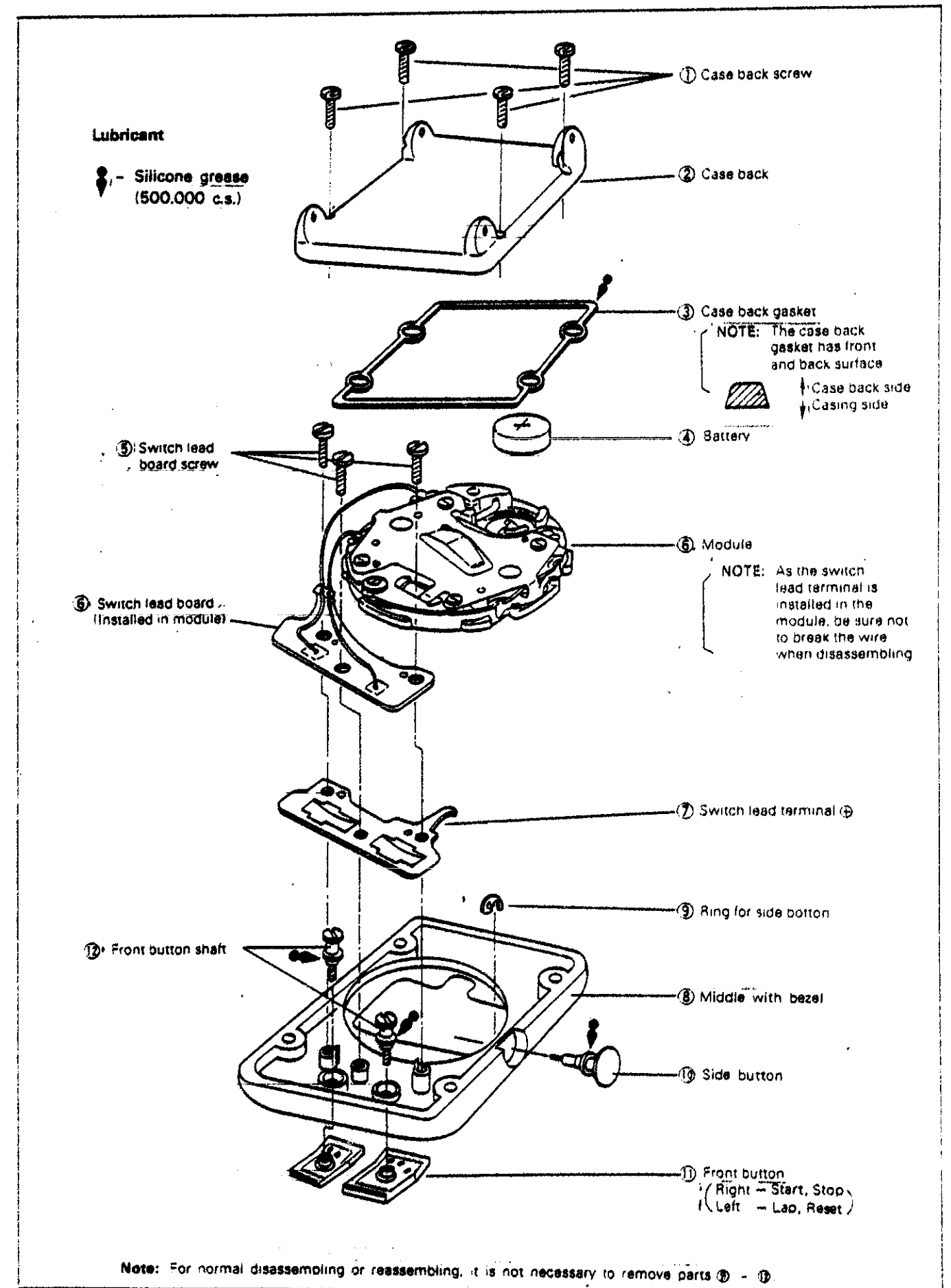
CONTENTS

I. SPECIFICATIONS.....	1
II. DISASSEMBLING AND REASSEMBLING OF CASE.....	2
III. REMOVING PROCEDURE OF GLASS.....	3
IV. HANDLING OF SWITCH LEAD TERMINAL.....	3
V. HOW TO TIGHTEN CASE BACK SCREW AND SWITCH LEAD TERMINAL SCREW.....	3

I. SPECIFICATIONS

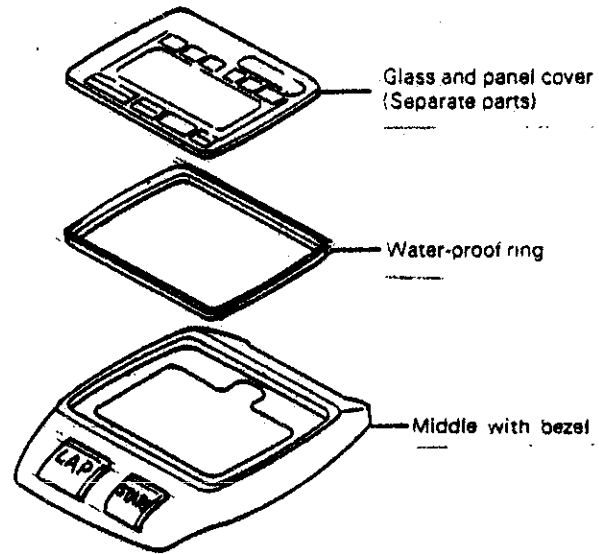
Item	Cal. No.	Y728 A
Display medium	Nematic Liquid Crystal, FEM (Field Effect Mode)	
Display system	<p>Four-function changeover system with time, stopwatch, counter and time/calendar setting functions.</p> <ul style="list-style-type: none"> ● Time function: Digital display system showing hour, minute, second and day of the week. In the time function, calendar and elapsing time in the stopwatch function are displayed by depressing a button. ● Calendar: Digital display system showing month, date and day of the week. ● Stopwatch function: 12-hour digital display system showing hour, minute, second and 1/100 second (The 1/100 second measurement is possible up to 20 minutes.) ● Counter function: <ul style="list-style-type: none"> Single counter Counting up to 9999. Twin counter Counting up to 99 in two ways ● Time/calendar setting function: Time and calendar can be set to operate at a desired second, minute, hour (with "A" (for A.M.)/"P" (for P.M.) indication), date, month and day of the week. 	
Additional mechanism	<ul style="list-style-type: none"> ● Illuminating light ● Pattern segment checking system 	
Crystal oscillator	32,768 Hz (Hz = Hertz Cycles per second)	
Loss/gain	<p>Loss/gain at normal temperature range</p> <p>Monthly rate: less than 20 seconds</p> <p>(Annual rate: less than 4 minutes)</p>	
Casing diameter	φ28.1 mm	
Height	4.2 mm without battery	
Operational temperature range	-10°C ~ +60°C (14°F ~ 140°F)	
Regulation system	Trimmer condenser	
Battery power	<p>Silver-oxide battery: SONY EVEREADY 392, U.C.C. 392, Maxell SR41W or Toshiba WG3</p> <p>Voltage: 1.55V</p> <p>Battery life is approximately 1 years.</p>	
IC (Integrated Circuit)	C-MOS-LSI 1 unit	

II. DISASSEMBLING AND REASSEMBLING PROCEDURES OF CASE



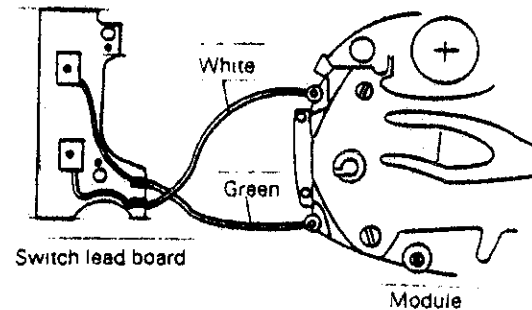
III. HOW TO REMOVE GLASS

- As shown in the illustration below, the Y726A employs plastic gasket which retains the glass. For normal disassembling procedures, it is not necessary to remove the glass.



IV. NOTES ON HANDLING SWITCH LEAD BOARD

As shown in the right illustration, the switch lead board is connected to the module switch pattern with leads. When handling the switch lead board, be sure not to break the wire and soldered part. If the soldered part is disconnected or lead is broken, solder the lead correctly.



[Wiring]

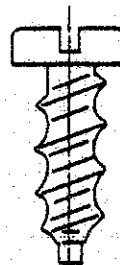
Place the switch lead board and module so that the pattern side and switch spring faces upward. Solder the white and green lead as shown in the above illustration.

V. HOW TO TIGHTEN CASE BACK SCREW AND SWITCH LEAD BOARD SCREW

- The screws are interchangeable.
Parts Code: 8150 1269

These screws are referred to as tapping screws. These screws directly screw into the plastic case hole which is not threaded. Therefore, tighten the screw to that it follows the previously threaded part. Tightening the screw forcibly will result in loose.

[Tapping screw]



Compared with the standard watch screws, the distance between the threads is large.

Y726A PARTS LIST

PART NO.	PART NAME
4001 801	Circuit block
4248 808	Side switch spring
4248 807	Front switch spring
4207 800	Lead wire
4270 800	Battery connection
4311 800	Switch terminal
4313 800	Connector
4398 800	Liquid crystal panel frame
4810 820	Liquid crystal panel
4821 710	Reflecting mirror (Silver)
022 283	Circuit block screw
022 902	Switch terminal screw
U.C.C. 392	Silver oxide battery
MAXELL SR41W	
(SR41W)	
SONY	
EVEREADY 392	